



AC1030 • 30 Amp Current Transformer

Low Cost 50/60Hz Current Transformers

Applications

- Sensing Overload Current
- Ground fault detection
- Metering
- Analog to Digital Circuits
- Competitive pricing due to high volume production
- Manufactured in an ISO-9001:2000, TS-16949:2002 and ISO-14001:2004 certified Talema facility
- Fully RoHS compliant

Electrical Specifications @ 20°C ambient

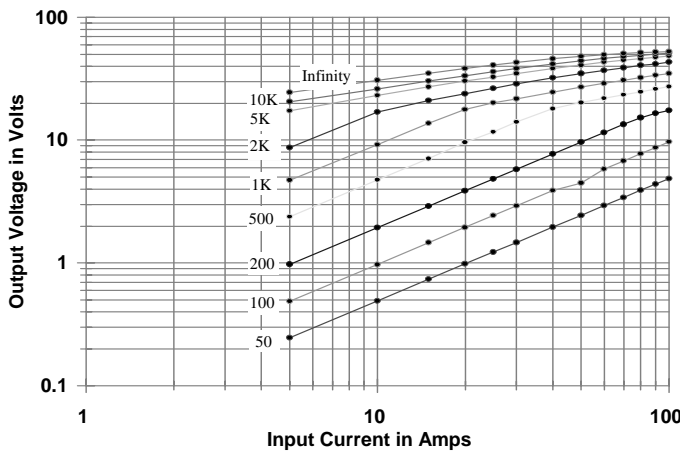
| Electrical Specifications | |
|--|---|
| Primary Current | 30A nom., 75A max. |
| Turns Ratio | 1000:1 nominal |
| Volt per Amp Ratio at 30A for 100 ohm load | 0.100 V/A |
| Volt per Amp Ratio at 3A for 100 ohm load | 0.098 V/A |
| DC Resistance at 20°C | 48 ohms |
| Dielectric Withstanding Voltage (Hi-pot) | 4KVrms |
| Mechanical Specifications | |
| Case | Polycarbonate |
| Encapsulant | Epoxy |
| Flammability | Conforms to UL94-VO |
| Terminals | Pins Ø 1.0mm |
| Marking | TALEMA Date Code (W/Y) AC1030, Dot at start pin |
| Approximate Weight | 35.5 grams |
| Tolerance | ±0.2mm |



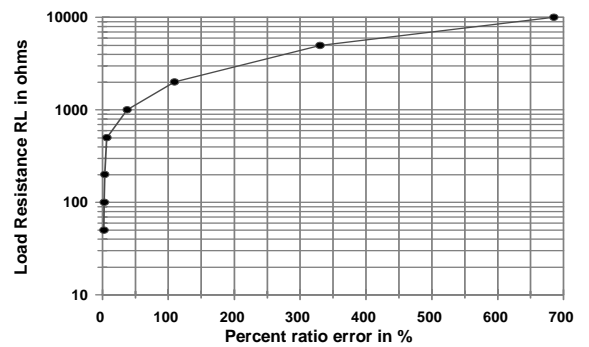
Environmental Specifications

| | |
|-----------------------|------------------|
| Storage Temperature | -55° to +130°C |
| Insulation Resistance | 100 megohms min. |

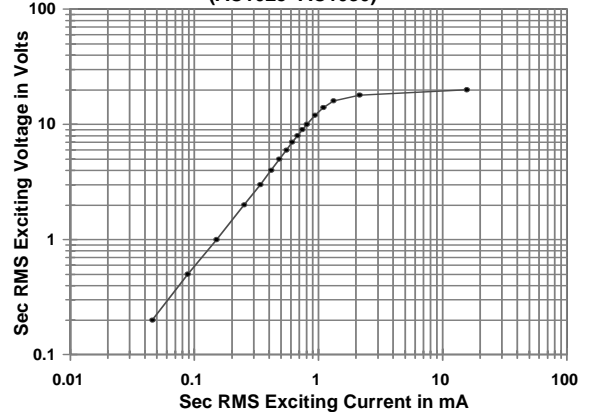
Output Volts vs Input Current
For various ohmic loads



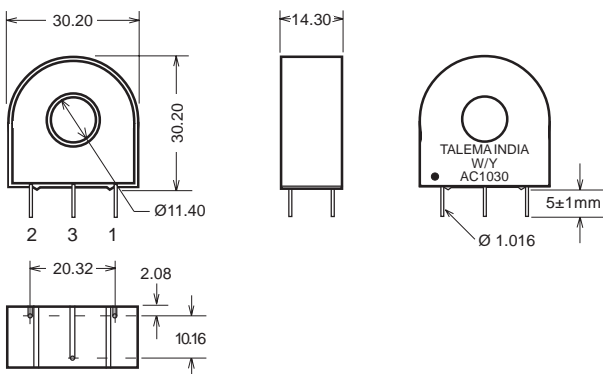
%RE vs RL at Rated primary current
(AC1030)



Typical Excitation Curve
(AC1025-AC1030)



Dimensions



Notes:

- 1) Unless requested, the terminating resistor and the one-turn primary are not supplied
- 2) Pin 3: Normally for mechanical support only but will be used on center tapped designs

